



955 Benton Ave., Winslow, ME 04901 • Phone: 1-877-564-6697 • Fax: 1-800-738-6314
Email: service@johnnyseeds.com • Web Site: Johnnyseeds.com

Originally developed in France and made popular here in the U.S. by Eliot Coleman, broadforks break up soil compaction in established beds while minimizing weed-seed resurfacing and leaving beneficial organisms intact.

Materials Included:

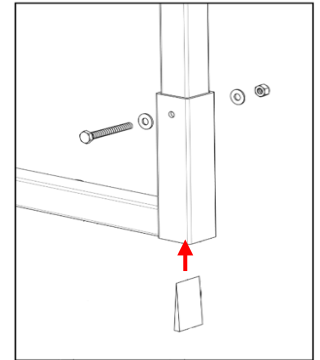
- (1) Broadfork head
- (2) Oiled ashwood handles
- (2) Wooden wedges
- (2) ¼"-20 Hex bolts
- (2) ¼" Nyloc nuts
- (4) ¼" Flat washers

Additional Tools Needed:

- Set of 7/16" wrenches/sockets
- Hammer or mallet
- Sharp knife

ASSEMBLY INSTRUCTIONS

1. Insert the flat end of the handle into the head until the predrilled holes align. Use a hammer or rubber mallet to gently tap handles into place if necessary.
2. Fasten the handle to the head with the hex bolt, two washers, and nut provided (see right), and secure in place using two 7/16" wrenches or sockets.
3. Gently hammer the wooden wedge up into the slit on the bottom of the handle as far as it will go. The handle should fit snug inside the broadfork head.
4. Remove any excess wood on the bottom of the handle with a sharp knife.



OPERATION & USE

- Drive the broadfork tines down into the soil as deeply as possible by stepping into the toolbar, ideally to the bottom of the tool bar. *Note: The tines should be on the side of the toolbar facing towards you.*
- Use your body weight to pivot the handles towards you as you step backwards off the tool bar. *Note: The goal is to shift the soil slightly to create pockets for improved airflow and drainage, not to invert the soil layers, which would dramatically break up the soil structure and bring weed seeds to the surface.*
- Advance the tool toward you 10–12" from the last insertion point and repeat down the bed. Work backwards to avoid stepping on the freshly worked area.

BROADFORK MODELS

Standard Broadforks — for general use in established beds with standard or loose soils. Designed with parabolic-curved tines to easily lift and aerate the soil with a smooth motion. Three widths available.

Hardpan Broadforks — feature heavy-duty ¼" plate steel blades to slice into compacted soils and break up hardpan below the surface. The best choice for rocky soils. Three widths available.

Note: As compacted soils loosen over time, we recommend switching to a standard broadfork for maintenance.

Harvest Broadfork — designed after the standard models, but with 9 tines spaced closely together, 2" apart, for harvesting crops in loose or sandy soils.

MAINTENANCE

- Always store your broadfork clean and dry. Gently clean the metal tines using a wire brush or Scotch-Brite pad as needed. A light coat of oil can be applied to protect metal surfaces.
- Apply a light coat of linseed oil to the wooden handles as needed.
- Tines may bend with use. They can be returned to their original positions by securing the toolbar with a vise, inserting a length of pipe over the tine for extra leverage, and gently pulling back into place.