

# #6226 Johnny's Flame Weeder – 30" Assembly & Use



955 Benton Ave., Winslow, ME 04901 • Phone: 1-877-564-6697 • Fax: 1-800-738-6314  
Email: [service@johnnyseeds.com](mailto:service@johnnyseeds.com) • Website: [Johnnyseeds.com](http://Johnnyseeds.com)



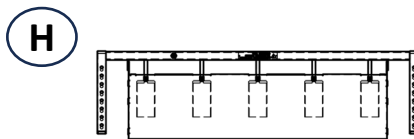
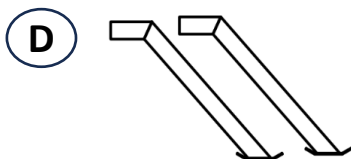
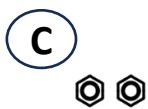
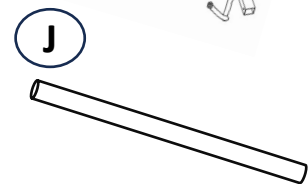
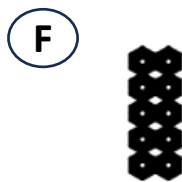
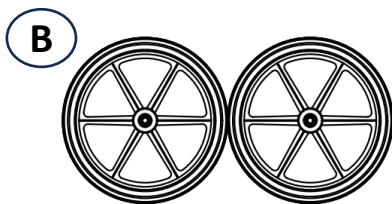
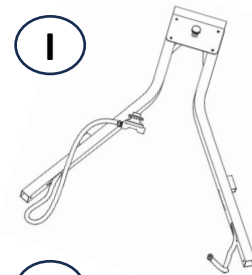
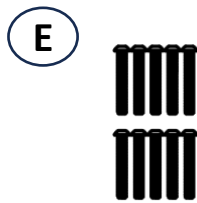
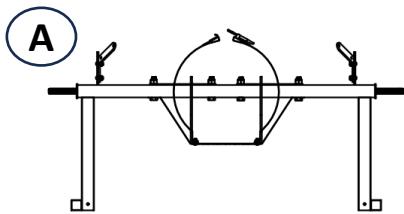
## Parts List

- A. (1) Main Axle Frame
- B. (2) Wheels
- C. (2) 5/8" Wheel Lock Nuts
- D. (2) Frame Support Skis
- E. (10) 1/4-20 Button Head Hex Screws
- F. (10) 1/4-20 Lock-Nuts
- G. (2) Wire Lock Clevis Pins
- H. (1) Torch Manifold Assembly
- I. (1) Handle Y-Frame Assembly
- J. (1) Stainless Steel Handle
- K. (2) Handle Grips

**Tools and Items Required** (not included): 7/16" wrench, 3/4" wrench, 15/16" wrench, 5/32" Allen wrench, butane stick lighter, and standard 20-pound propane tank.

Before beginning assembly, please verify all parts are included.

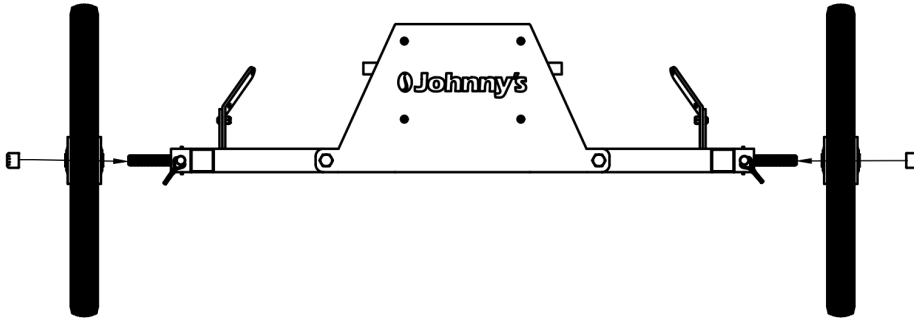
**Read operating and safety instructions on page 7 & 8 before use.**



## ASSEMBLY:

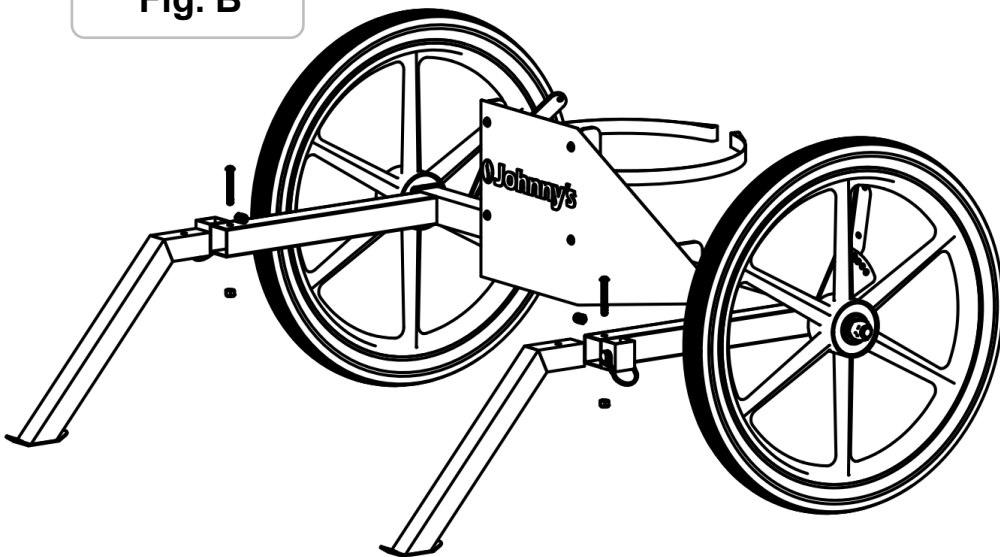
Step 1: Slide Wheels (B) onto axles of Main Axle Frame (A) and screw the 5/8" Wheel Lock Nuts (C) onto the axle allowing the wheel to still spin freely.

**Fig. A**



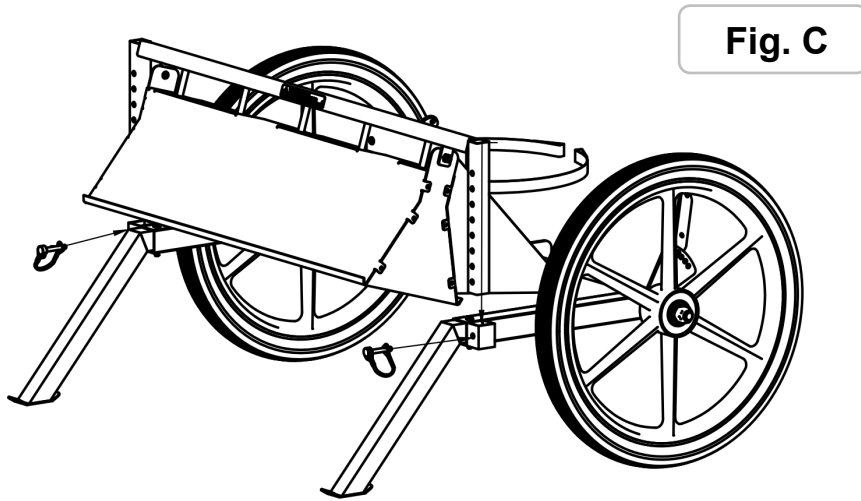
Step 2: Slide Frame Support Skis (D) into frame arms and secure with the 1/4-20 Button Head Hex Screws (E) and Lock-Nuts (F). (Using a 5/32-inch Allen wrench)

**Fig. B**

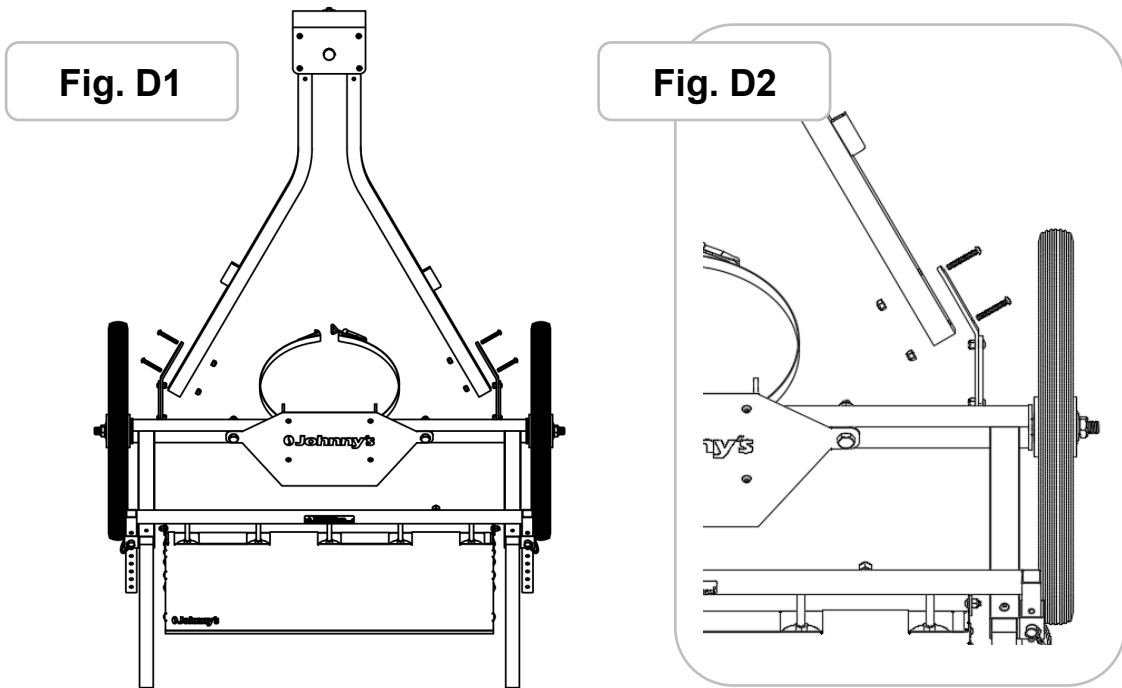


## ASSEMBLY:

Step 3: Slide the Torch Manifold Assembly (H) into vertical tubes welded to frame until at desired height and secure with Wire Lock Clevis Pins (G).



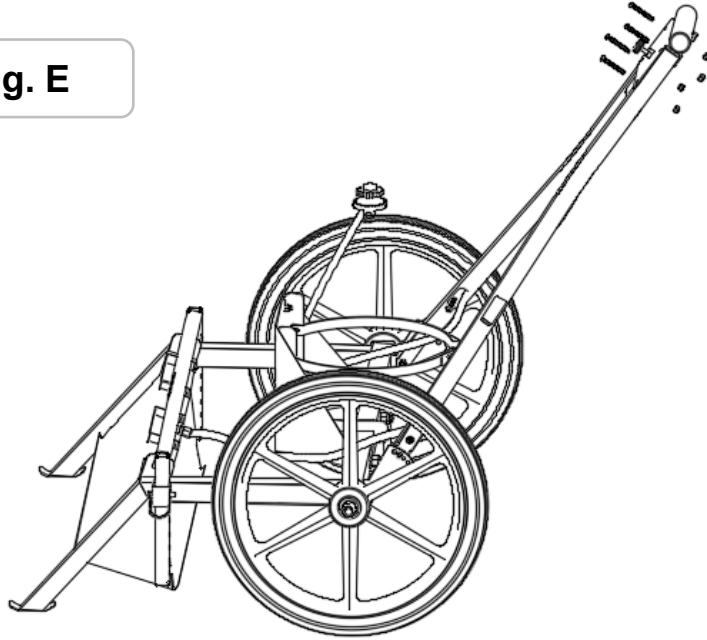
Step 4: Attach the Handle Y-Frame Assembly (I) to the angled brackets on the Main Axle Frame as shown in Fig. D1 and Fig. D2 and secure with 1/4-20 Button Head Hex Screws (E) and 1/4-20 Lock-Nuts (F).



## ASSEMBLY:

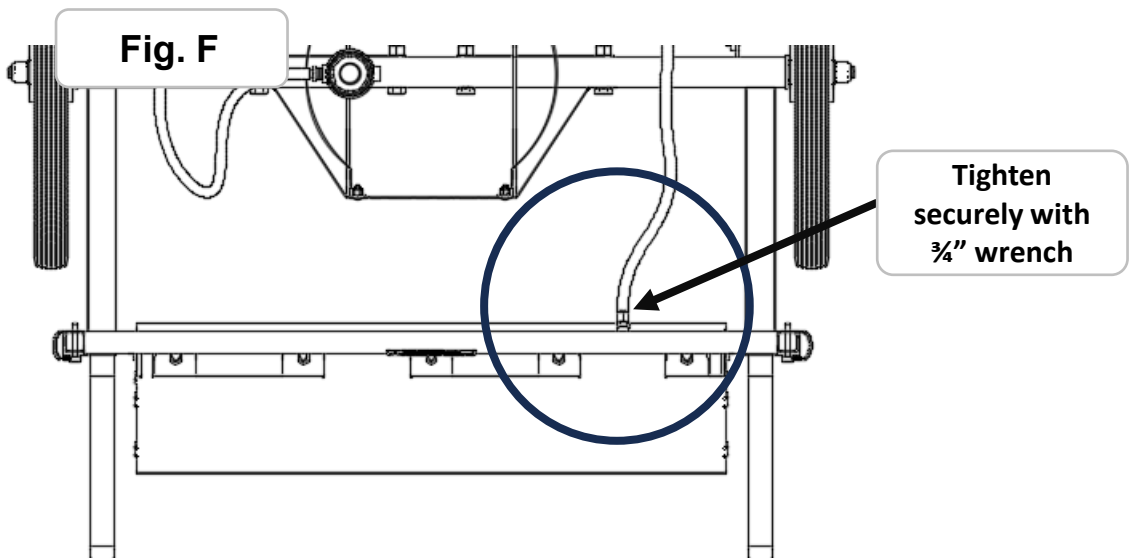
Step 5: Secure the pre-attached Valve Control Panel tightly to the upper Handle Y-Frame Assembly (I) with 1/4-20 button head hex screws (E) and lock-nuts (F).

**Fig. E**



Step 6: Screw hose to Torch Manifold Assembly (H), tighten securely with  $\frac{3}{4}$ " wrench.

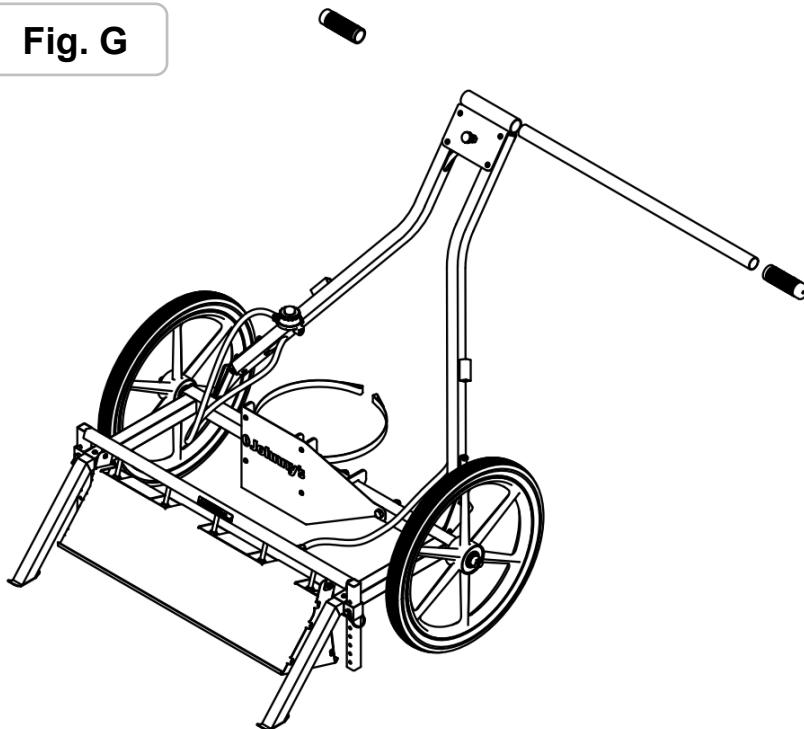
**Fig. F**



## ASSEMBLY:

- Step 7: Slide Stainless Steel Handle (J) through the Valve Control Panel tube and tighten with adjustment knob in the back. Slide on Handle Grips (K).

**Fig. G**



**Read all safety instructions before first use.**

## **SAFETY INSTRUCTIONS:**

1. Read all safety instructions before first use.
2. The Johnny's 30" Flame Weeder is intended to be used only for agricultural weed management.
3. Propane is highly flammable. Before each use inspect hose, connections, and valves for corrosion, damage or leaks.
4. Carbon monoxide produced by burning propane gas is a poison that can kill. Since it is colorless and odorless, it is especially dangerous. Incomplete propane combustion will produce carbon monoxide; you can recognize incomplete combustion by a yellow flame. Complete combustion produces a blue flame. To operate the Flame Weeder safely, adjust the pressure and control valve to avoid a yellow flame—make it blue.
5. Be prepared to promptly ignite the propane upon opening the control valve for use. Do not allow prolonged propane flow to un-ignited burners. If excessive unburned propane flow occurs, close the control valve and wait for the propane to dissipate before attempting to ignite the burners.
6. Know the symptoms of carbon monoxide poisoning:  
May include headache, weakness, dizziness, confusion, nausea, vomiting, or fatigue. If you have reason to believe that you have carbon monoxide poisoning, immediately move to fresh air and seek medical attention.
7. Practice fire safety—do not use on dry lawns, leaves, or brush.  
Comply with local regulations.
8. Do not operate in high-wind conditions.
9. Do not operate indoors or in an enclosed space.
10. Store propane in a cool, well-ventilated outdoor location.  
Do not store propane indoors.
11. Take safety precautions around children, pets, and small animals.
12. Do not allow children under the age of 18 to operate.

## **SAFETY INSTRUCTIONS (Continued):**

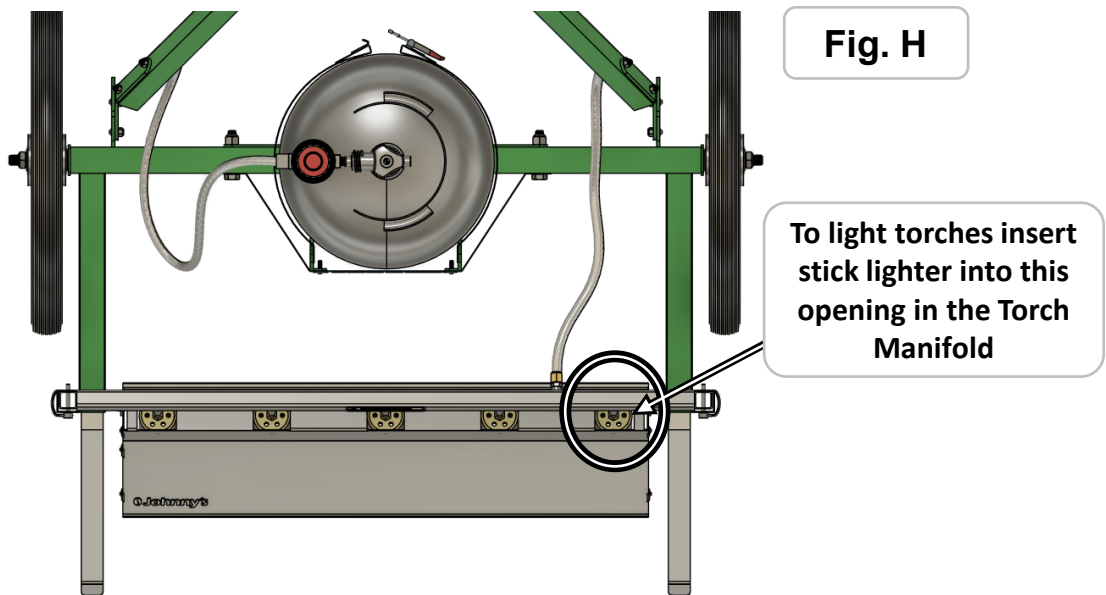
13. Always close the propane tank valve when not in use.
14. Do not operate the Johnny's Flame Weeder if your coordination, balance, or judgment are impaired for any reasons including medication, alcohol, or drugs.
15. Protect your feet—always wear closed toe shoes when operating flame weeders. The Johnny's 30" Flame Weeder has been engineered to minimize heat backwash from the shroud, but foot protection is still required.
16. Keep hands and feet away from burners while the Flame Weeder is operating. Note: Flame may not be visible in sunlight. The burner flames are most visible when the Johnny's Flame Weeder is operated during lower light conditions, such as a cloudy day, dawn or dusk.
17. Do not attempt to adjust the Torch Manifold Assembly (H) height during operation or while manifold and shroud are hot.
18. Keep the propane tank upright and secured while operating the Johnny's Flame Weeder.
19. Allow Flame Weeder to fully cool off after use and before storing.



# OPERATION AND USE:

## 1. Starting the flame weeder

- Before igniting your flame weeder move it to the area where you intend to use it.
- By removing the Wire Lock Clevis Pins (G) securing the manifold, adjust height of the shroud so it is roughly 2-4 inches above the surface being flamed.
- To light the flame weeder, open the valve on the propane tank first.
- Next, open regulator attached to the propane tank and set to 5 PSI.
- Then open the valve on the control panel by turning the knob enough to hear gas escaping (roughly a quarter turn).
- Ignite the flame weeder by inserting a stick lighter through the opening in the top of the Torch Manifold assembly to light the first torch as shown in Fig. H. Gradually increase the gas and the rest of the torches should ignite. If not, you may light each torch individually. *Make sure you light the flame weeder in a safe area (see page 7) where you intend to use it.*



- Increase regulator to run at approximately 10 PSI. Flame can be adjusted based on the size of the weeds that need to be killed.

## **OPERATION AND USE:**

### **2. Using the flame weeder**

- Push the Flame Weeder at a slow, steady pace allowing the weeds to be exposed to the heat enough for the plant tissue to die (approximately 1 to 2 seconds). Weeds will not initially look dead. You are not trying to incinerate the weeds but to heat the cells enough to burst the cell walls. Weeds should be slightly wilted after flame weeding. Within a few hours the weeds will appear to be dying.
- When you are finished using your flame weeder make sure to shut off the gas at the propane tank to prevent leaks or accidents.
- Allow flame weeder to cool down completely before storage to help prevent accidental burns or fire hazards.

### **TIPS FOR BEST PERFORMANCE:**

- Flame weeding works best in dry conditions. Avoid windy days to prevent flames from spreading. Wet conditions will require a slower pass to evaporate the water before the flame will kill the weeds.
- Flame weeding works best when weeds are in their early growth stage. Larger annual weeds and perennial weeds may require multiple passes over time to completely kill the weeds.
- Flame should not be pointed directly at the plant for extended periods. 1 to 2 seconds per plant is generally sufficient to kill the weeds. Too much heat can harm beneficial microorganisms in the soil.
- For greater success in killing your weeds prepare beds 10-14 days in advance to allow new weeds to germinate before flaming. After seeding, another pass with the flame weeder can be made before the seeds start to emerge.