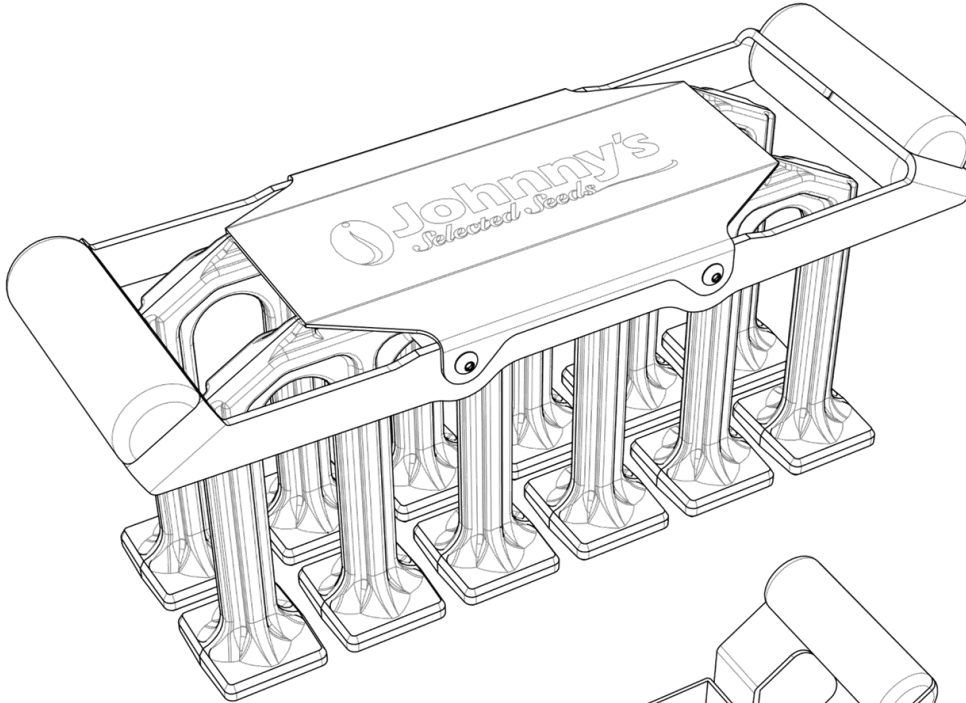


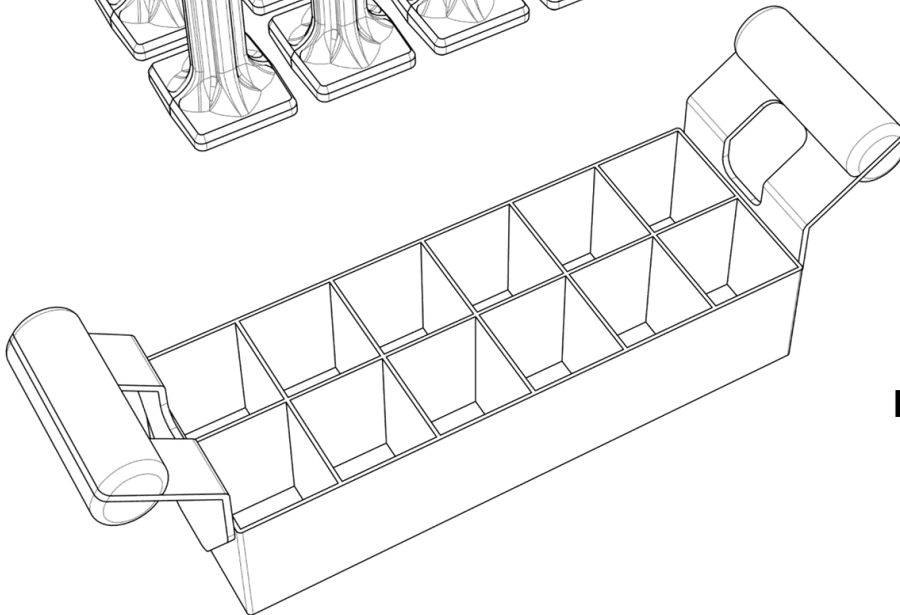


955 Benton Ave., Winslow, ME 04901 • Phone: 1-877-564-6697 • Fax: 1-800-738-6314
Email: service@johnnyseeds.com • Web Site: Johnnyseeds.com

COMPONENTS AND PARTS:



**A. Plunger
Assembly
(12-Cell Shown)**



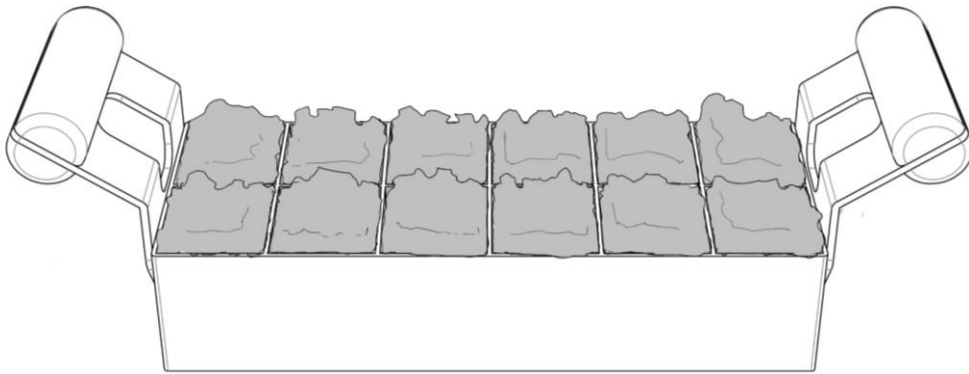
**B. Stainless Steel
Blocking Grid
(12-Cell Shown)**

PATENT PENDING

OPERATION & USE:

Blend soil and water to the right consistency (mixture should be wet enough to hold its form when squeezed in hand but should not be dripping wet). Push the (B) Blocking Grid into the soil mix. Make sure to penetrate soil to the bottom of the container. (FIG. 1)

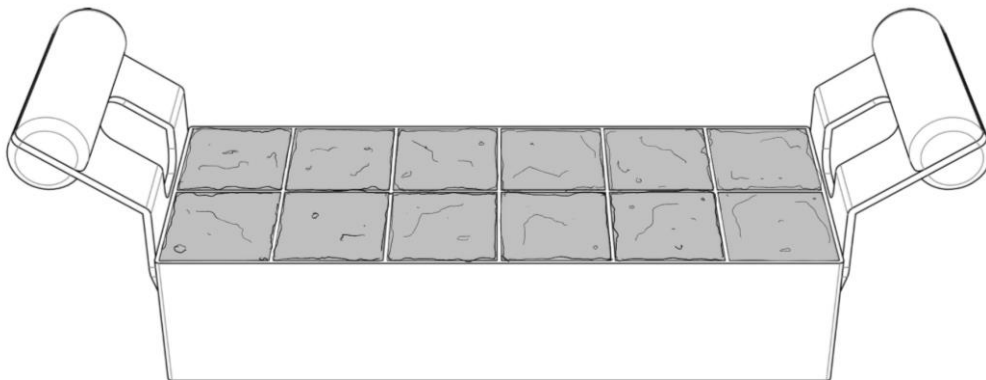
FIG. 1



(12-Cell Shown)

Use Johnny's Skimming Trowel (#6224) or standard hand trowel to scrape the excess soil from the top of the (B) Blocking Grid. (FIG. 2)

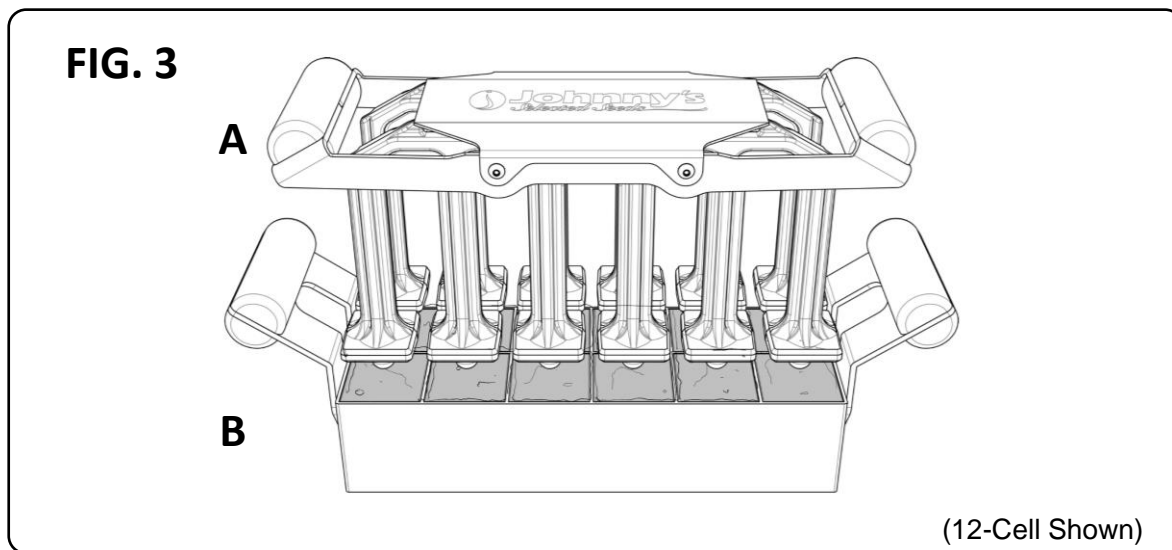
FIG. 2



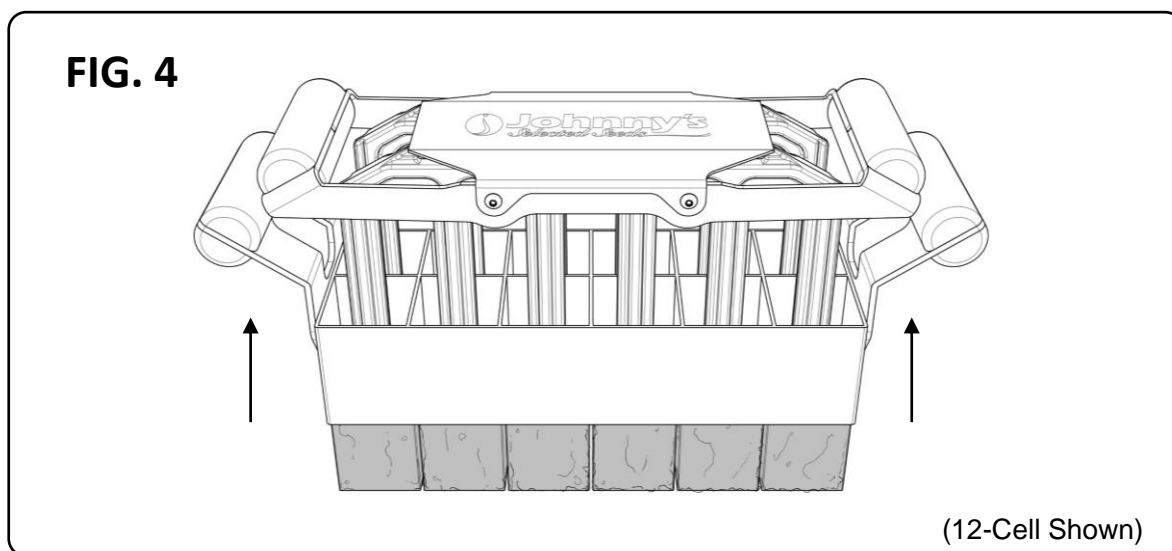
(12-Cell Shown)

Place blocking grid into a 1020 or similarly sized tray or board.

Align the (A) Plunger Assembly with the cells on the (B) Blocking Grid and lightly compress the soil in the cells. (FIG. 3)



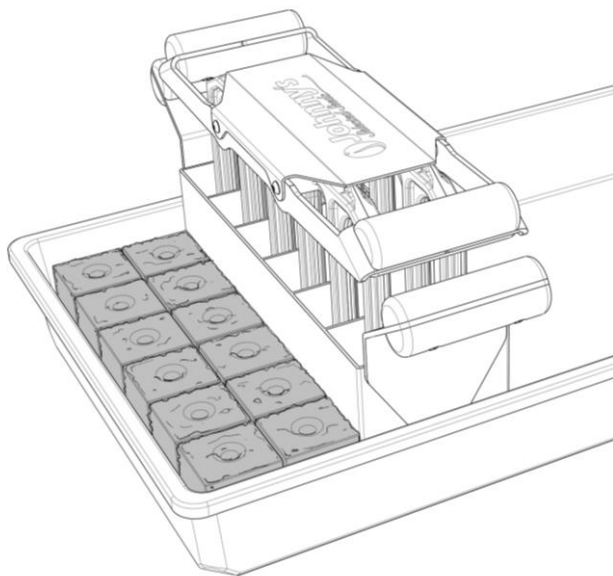
While keeping some pressure on the plunger assembly, gently pull the (B) Blocking Grid up around the compressed blocks. (FIG. 4)



The 6317 is designed to fit 12 rows of 6 (72 cells) in a 1020 tray.
The 6296 is designed to fit 10 rows of 5 (50 cells) in a 1020 tray.

Pay attention to your row alignment for best results with corresponding seeding tools in the 50-cell or 72-cell system. (FIG.5)

FIG. 5



(12-Cell Shown)

Rinse or dip plungers in water as needed to minimize soil sticking to plungers.

MAINTENANCE INSTRUCTIONS:

After each use, rinse thoroughly in warm water to remove soil and debris. Wipe stainless steel Blocking Grid (B) and Plunger Assembly (A) with dry cloth.

All Johnny's Soil Blocking products are trialed using Johnny's Polypro trays and Johnny's 512 Mix as performance benchmarks.

Polypro Shallow Tray-No Holes (4 count) – 6375

Polypro Shallow Tray-No Holes (24 count) – 6377

Johnny's 512 20 Qt – 9227

Johnny's 512 60 Qt – 9228

Johnny's Germination Mix 20 Qt – 9395