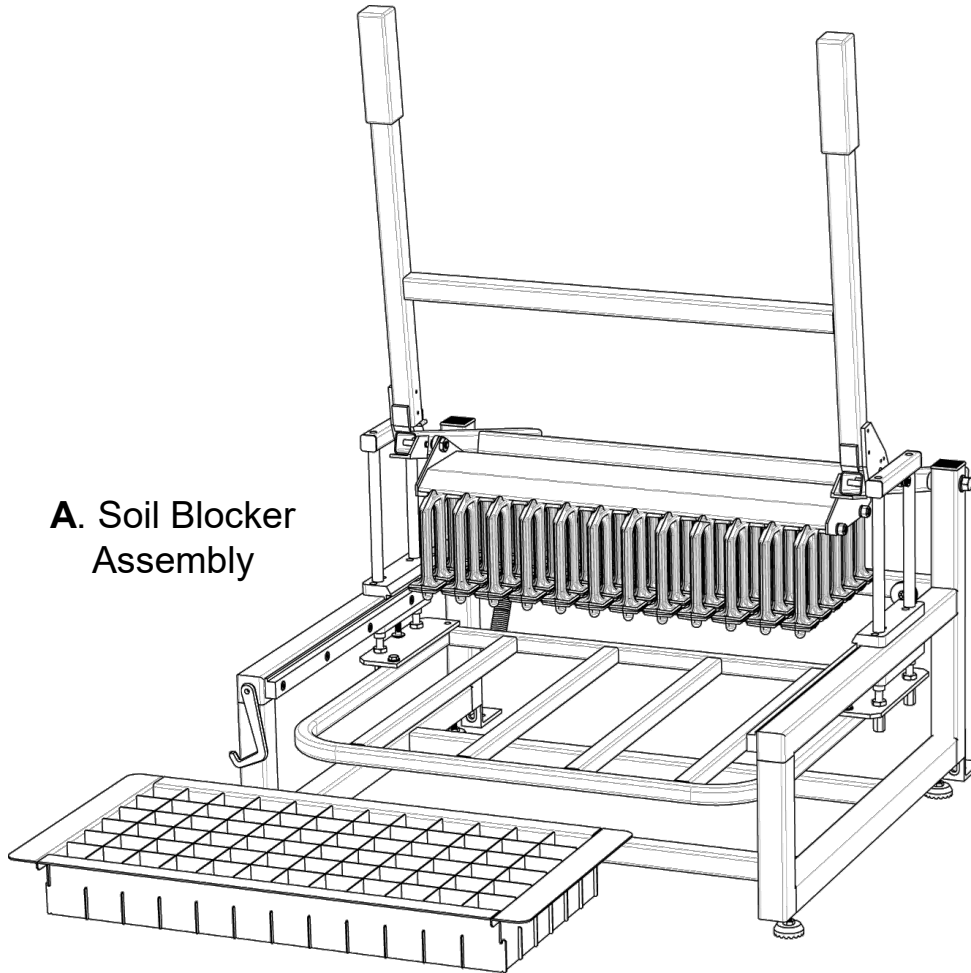




955 Benton Ave., Winslow, ME 04901 • Phone: 1-877-564-6697 • Fax: 1-800-738-6314
Email: service@johnnyseeds.com • Website: Johnnyseeds.com

COMPONENTS AND PARTS:



**A. Soil Blocker
Assembly**

**B. Stainless Steel
Blocking Grid**

**SCAN QR CODE
FOR A FULL VIDEO
INTRODUCTION TO THE
OPERATION OF THE
JOHNNY'S SOIL BLOCKER**



PATENT PENDING

Copyright © 2024 Johnny's Selected Seeds. All rights reserved.

OPERATING INSTRUCTIONS:

After blending soil and water into the right consistency (see page 6 for recommendations on consistency), place the (B) Blocking Grid into a 1020 tray and fill the Blocking Grid with the dampened soil mix. Fig.1

Thump tray and loaded (B) Blocking Grid on the table surface to settle the soil into the cells.

Fill soil to top of grid dividers. Use a trowel or taping knife (not included) to scrape the excess soil from the top of the (B) Blocking Grid. Fig. 2

Fig. 1

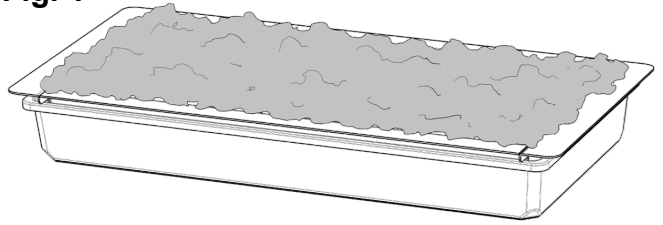


Fig. 2

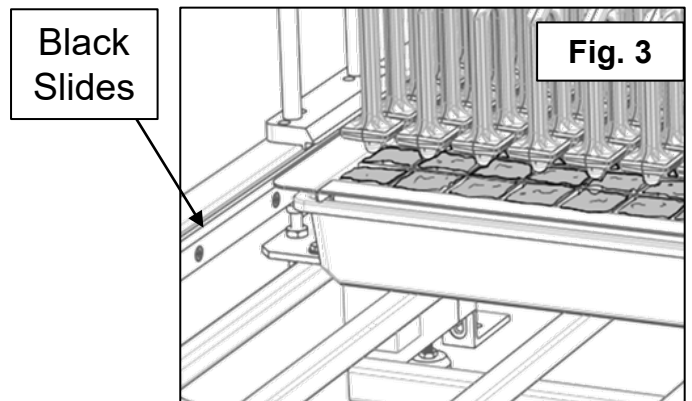
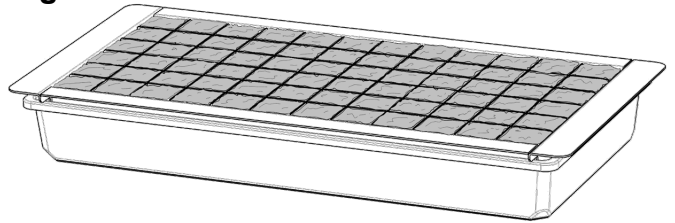
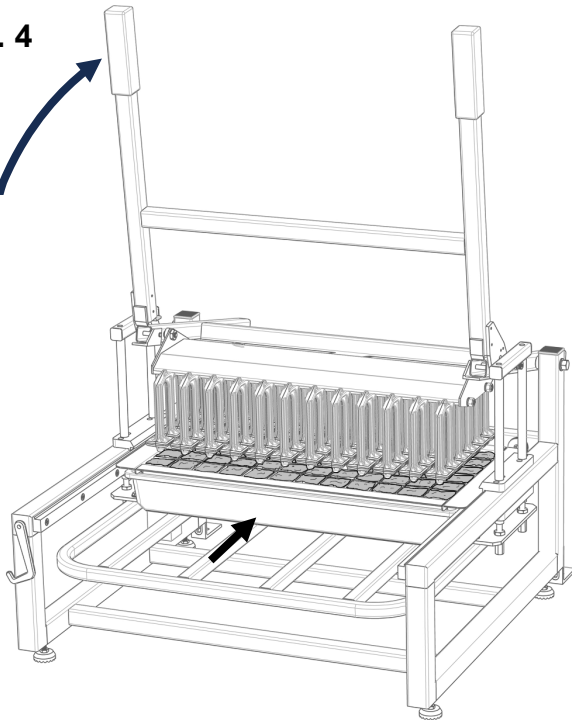


Fig. 4



Place tray with grid and soil mix in the (A) Soil Blocker Assembly by setting the Blocking Grid side tabs on the Black Slides. Fig. 3.

Push the handles back slightly to raise the plungers and create clearance for the sliding grid. Fig. 4

OPERATING INSTRUCTIONS:

Slide the (B) Blocking Grid to back of (A) Soil Blocker Assembly until grid frame touches the grid alignment bumpers. This will ensure that the grid is properly lined up with plungers.

Fig. 5

(See instructions for adjusting the bumpers on page 5.)

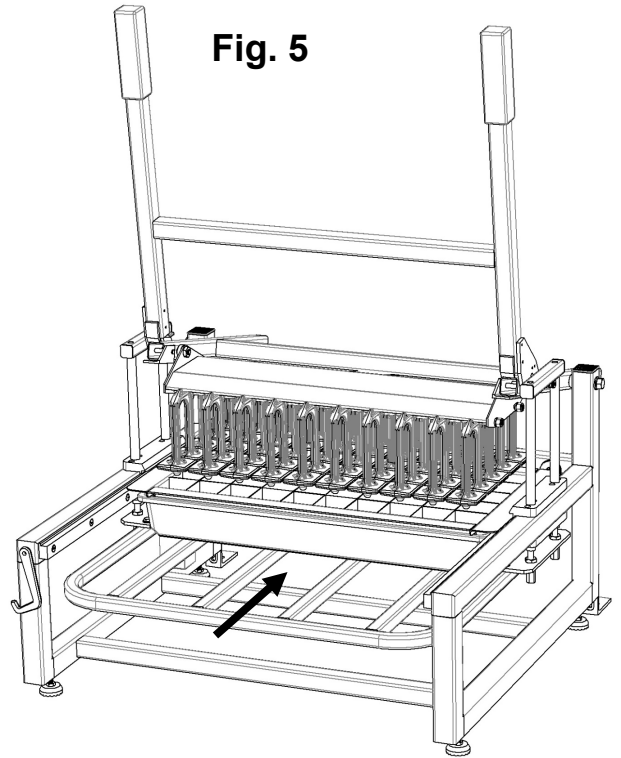
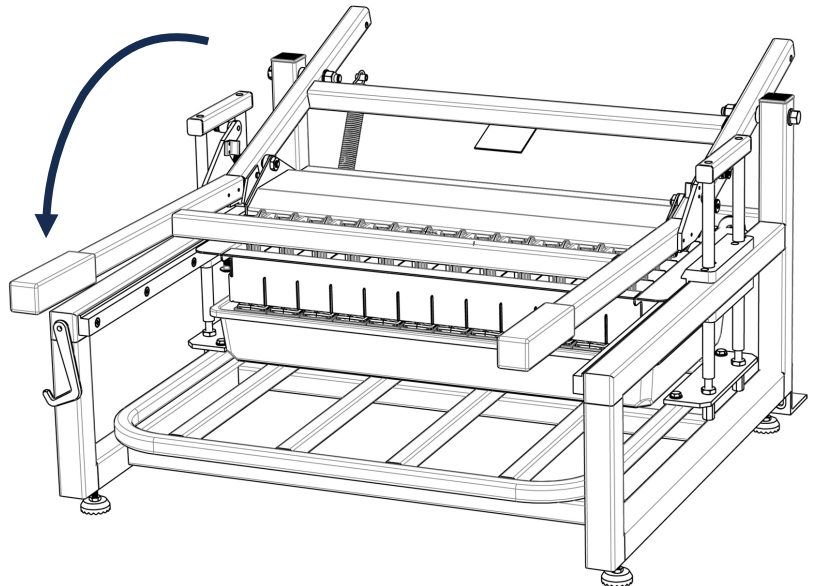


Fig. 6

Pull handles forward checking to ensure plungers are properly aligned with the cells.

Pulling handles forward will initially compress the soil blocks and then eject the block from the stationary supported grid.

Fig. 6

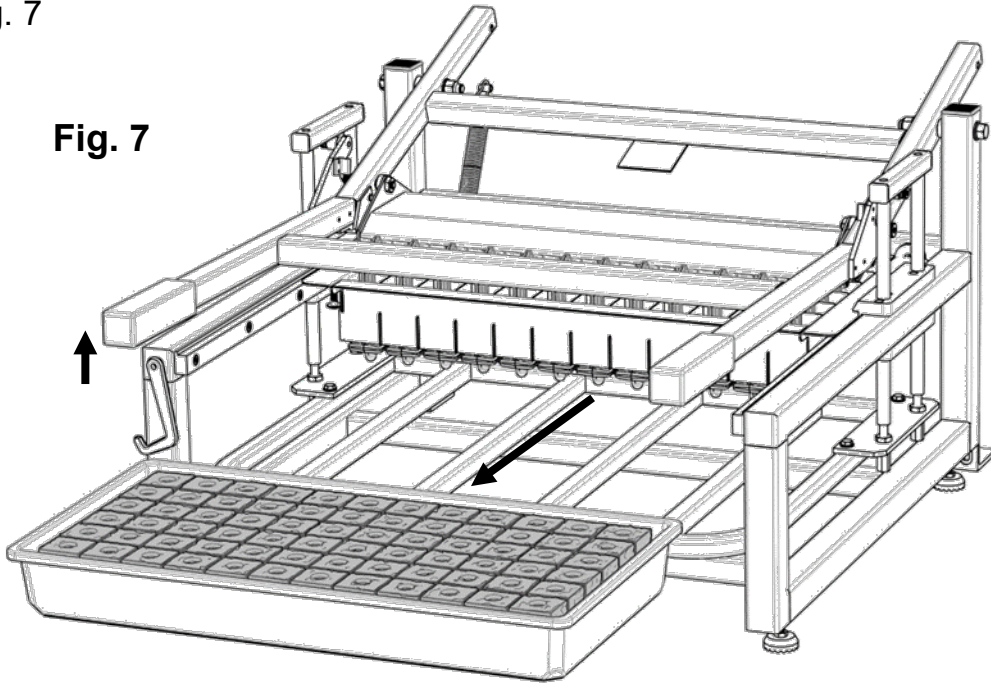


OPERATING INSTRUCTIONS:

When handles have reached their downward limit, the tray and compressed blocks will have been ejected from the grid. Lift handles slightly to raise the plungers and remove the tray with compressed blocks from the soil blocker.

Fig. 7

Fig. 7



With soil blocks and tray completely separated from the grid, slowly raise the handles until the plungers re-enter the grid.

Then continue to raise the handles to the full upright position.

Remove (B) Blocking Grid, insert it into a new 1020 tray, and repeat the process.

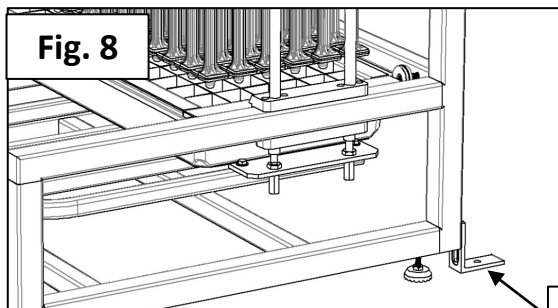


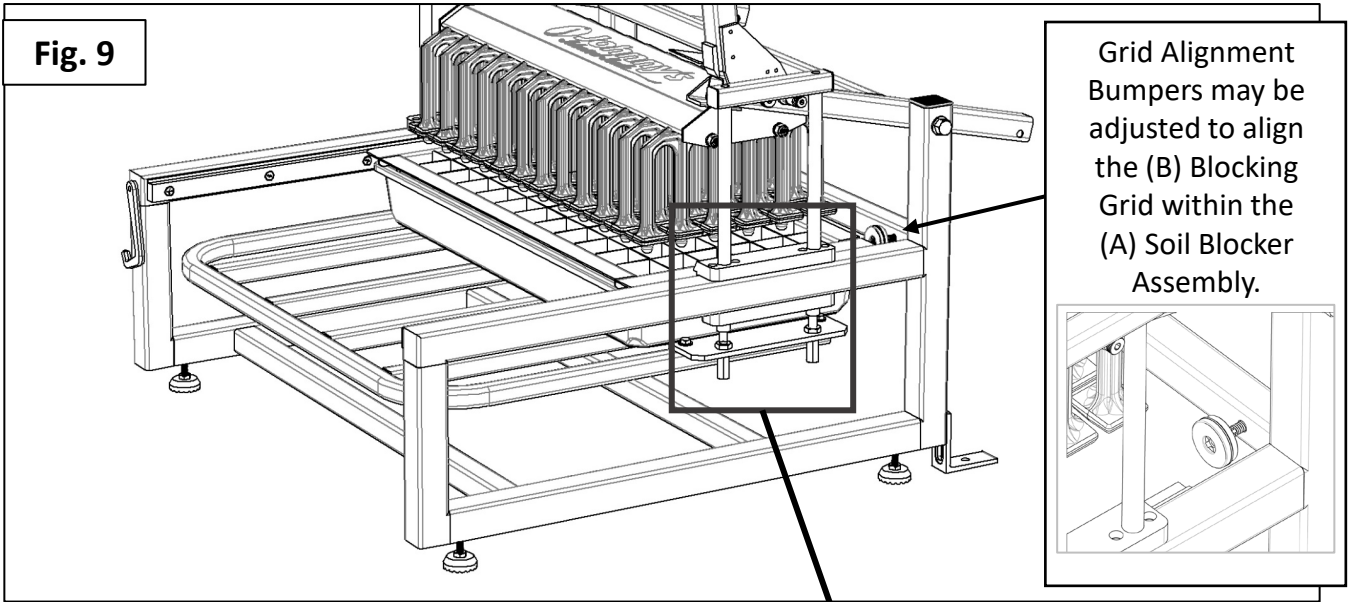
Fig. 8

If desired, the entire unit may be anchored to a bench-top or other surface using the included L-brackets at the rear of the device.

Fig. 8

L-Bracket

SETTING ADJUSTMENTS:

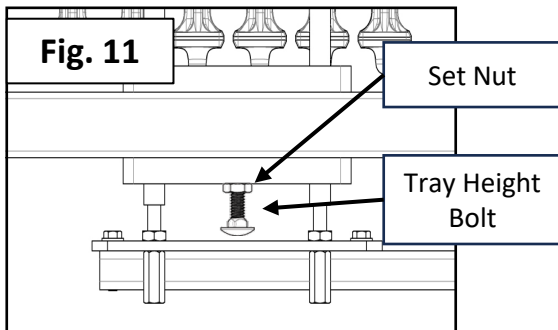
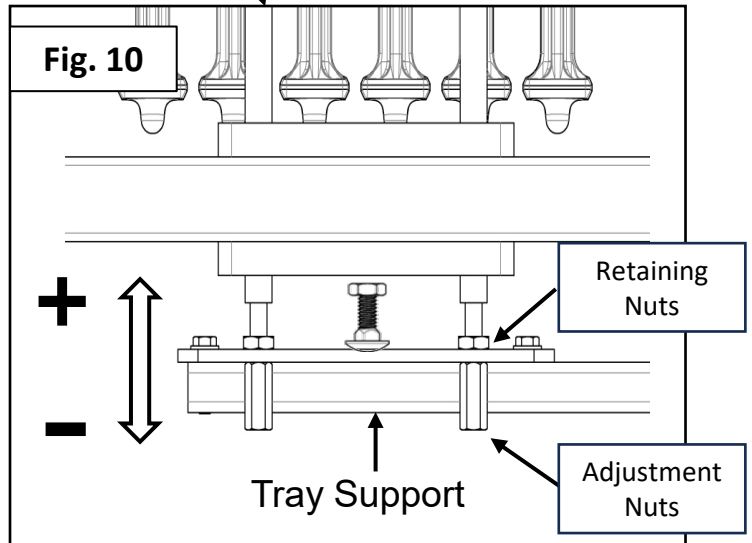


Adjust the Level of Soil Compaction:

Raise the Tray Support to increase the compaction; lower the Tray Support to decrease compaction.

Loosen Retaining Nuts that sit above the Tray Support. Wind the Adjustment Nuts which sit below the tray clockwise to increase compaction or counter-clockwise to decrease compaction. Take care to wind all 4 Adjustment Nuts equally to keep the tray as level as possible. When the desired compaction is reached, tighten Retaining Nuts to lock in the setting.

Fig. 10



Setting Tray Height:

The resting height of the tray may be adjusted to accommodate different tray thicknesses. This is done by backing off the Set Nut and adjusting the Tray Height Bolt to the desired level.

Fig. 11

OPERATION AND MAINTENANCE:

Note:

All seed starting and potting mixes behave differently. Soil moisture consistency is crucial. A general rule of thumb is the soil should be moist enough to hold together when squeezed in your hand but there should be no excess water dripping out. Soil that is too dry may not hold together properly. Soil that is too wet may stick to the plungers.

Tips to avoid excess soil sticking to the plungers:

Make sure your soil is the right consistency. Spray plungers and (B) Blocking Grid with water or periodically spray plungers with an organic or food grade cooking spray.

Maintenance and care:

After each use rinse thoroughly in warm water to remove soil and debris. Wipe stainless steel (B) Blocking Grid and (A) Soil Blocker Assembly with a dry cloth. Periodically spray plungers with organic or food grade cooking spray to minimize the likelihood of soil sticking to plungers.

CHOOSING THE RIGHT SOIL

All Johnny's Soil Blocking products are trialed using Johnny's Compost Mixes as performance benchmarks.

Johnny's 512 Mix, 20 Qt – 9227 | Johnny's 512 Mix, 60 Qt – 9228

Johnny's 512 Mix – 2 Yard Bulk (bagged) – 9357

Johnny's Germination Mix, 20 Qt – 9395